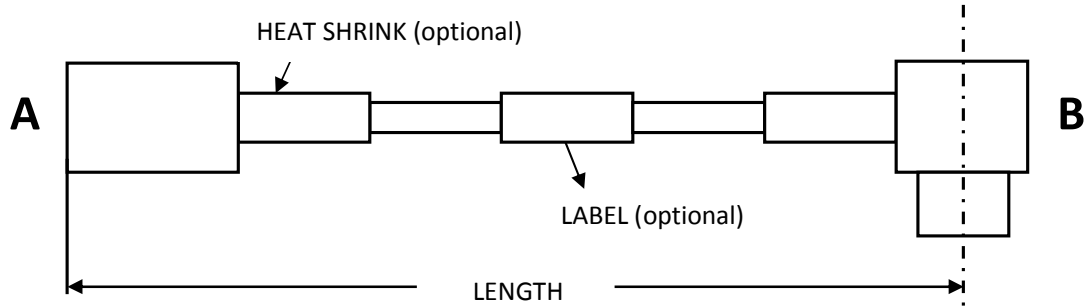




## CABLE ASSEMBLY SPECIFICATION CHECKLIST



<p style="text-align: center;"><b>CONNECTOR A</b></p> <p>Supplier &amp; part No. _____  or  Interface _____  (e.g. BNC, MCX, SMA)</p> <p>Style _____</p> <p>Heatshrink Y/N Marking _____</p>	<p style="text-align: center;"><b>CONNECTOR B</b></p> <p>Supplier &amp; part No. _____  or  Interface _____  (e.g. BNC, MCX, SMA)</p> <p>Style _____</p> <p>Heatshrink Y/N Marking _____</p>
<p style="text-align: center;"><b>CABLE</b></p> <p>Length _____</p> <p>RG Type _____  OR  Cable Manuf/Part No. _____  OR</p> <p>Frequency Range _____ MHz/GHz</p> <p>Impedance _____ Ohms</p> <p>Insertion Loss _____ dB</p> <p>Shielding Effectiveness _____ dB</p> <p>Temp Range _____ (°C/°F)</p> <p>Max Avg Power Handling _____ Watt  25°C at Sea Level and MAX Specified Frequency</p>	<p style="text-align: center;"><b>LABEL (if reqd)</b></p> <p>Marking <div style="border: 1px solid black; width: 150px; height: 60px; margin: 5px 0;"></div></p> <p style="text-align: center;"><b>ELECTRICAL SPECIFICATIONS</b></p> <p>VSWR _____  OR  Return Loss _____</p> <p>Insertion Loss _____</p> <p>Delay _____</p> <p>Insertion Phase _____</p> <p>Intermodulation _____</p>
<p>Other Specifications _____</p> <p>_____</p> <p>_____</p>	