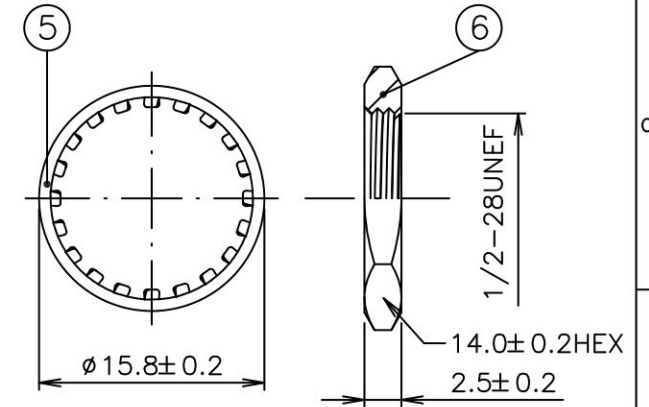
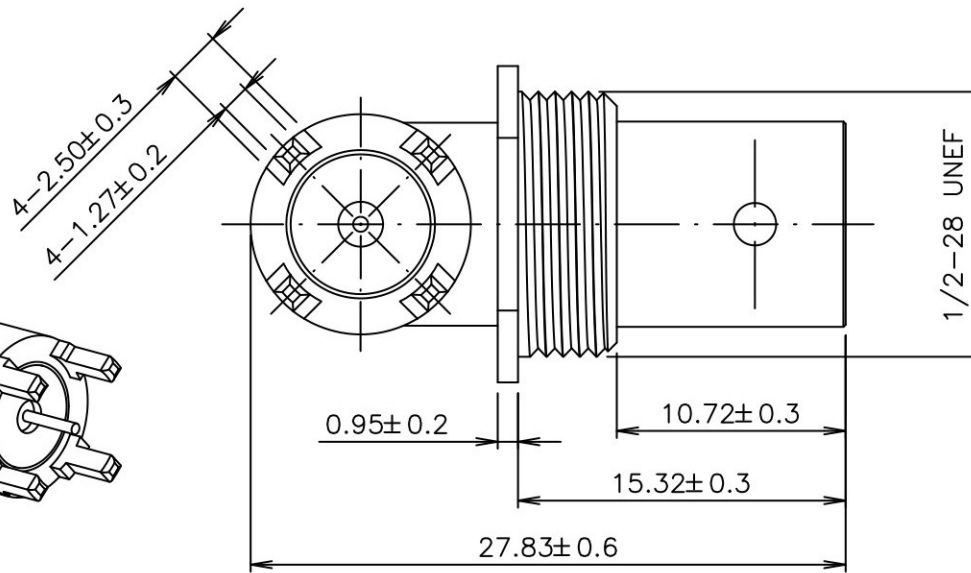
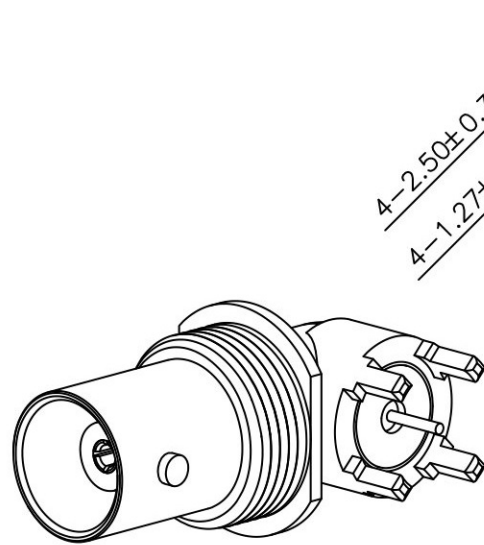
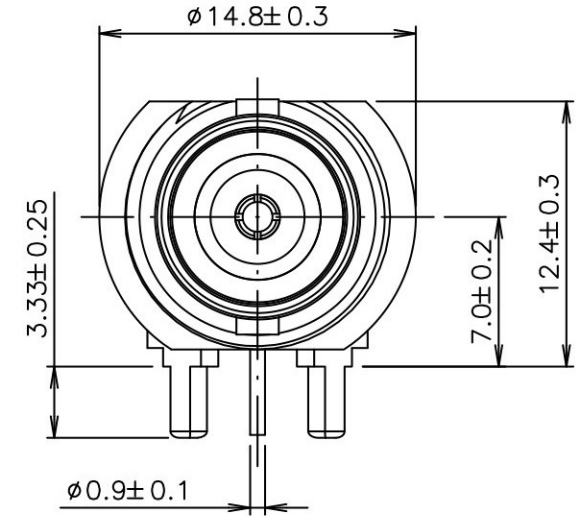
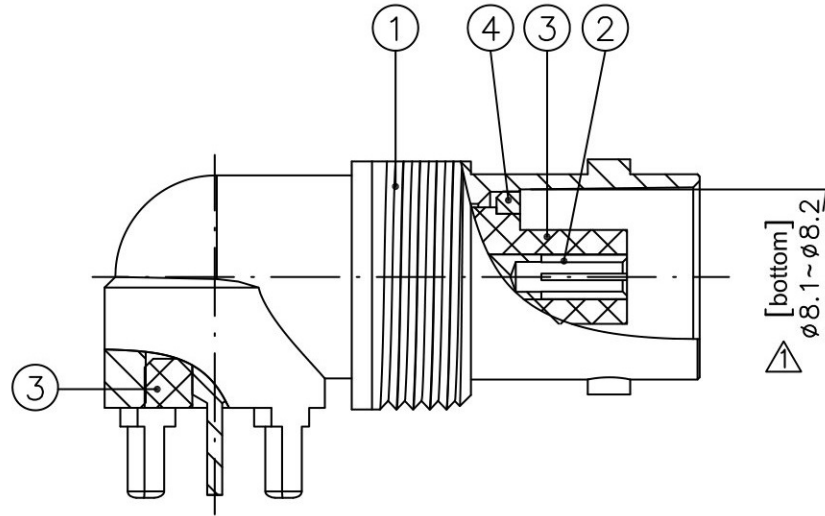
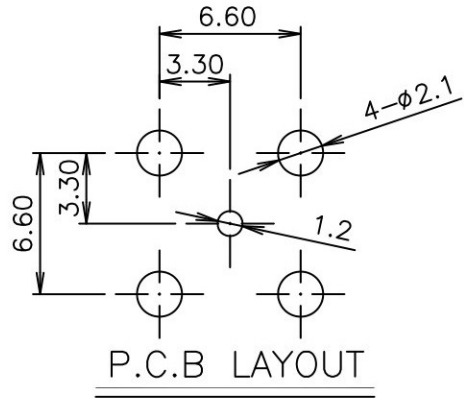


ROHS

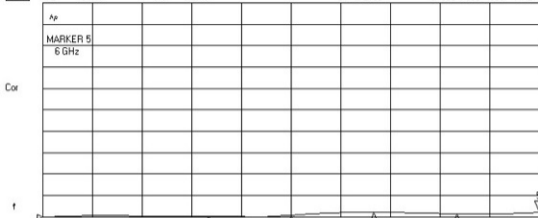
NOTE: BNC FEMALE 50 OHM TERMINATOR



6	brass	nickel
5	Fe	nickel
4	brass	nickel
3	teflon	
2	brass	gold
1	Zinc	nickel
	Material	Plated

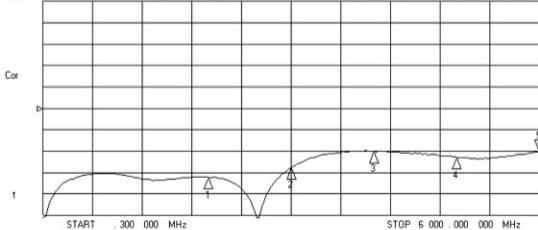
Duplex CSA Ltd				TITLE	BNC CONNECTOR	UNITS	mm	SCALE	2:1
				PART NO.	DUP-38C	△			
APPROVED	GLAZE	DRAWING	DESIGN	DRAWING NO.		△	2019/09/04	B	
		L.Y.C	L.Y.C	GLAZE		△	2018/01/15	A	
				MATERIAL		SYE	DATE	REV.	

CH1 RFL SWR 1 / REF 1 5: 1. 2130 6 000 . 000 000 MHz



- CH1 Markers
- 1: 1. 0506
 - 2: 0.0000 GHz
 - 3: 0.0000 GHz
 - 4: 0.0000 GHz
 - 5: 0.0000 GHz

CH3 RFL LOG 10 dB/ REF 0 dB 2 5: -20 . 330 dB 6 000 . 000 000 MHz



- CH3 Markers
- 1: -32 . 141 dB
 - 2: 0.0000 GHz
 - 3: -27 . 514 dB
 - 4: 0.0000 GHz
 - 5: -20 . 066 dB
 - 6: 0.0000 GHz
 - 7: -22 . 818 dB
 - 8: 0.0000 GHz