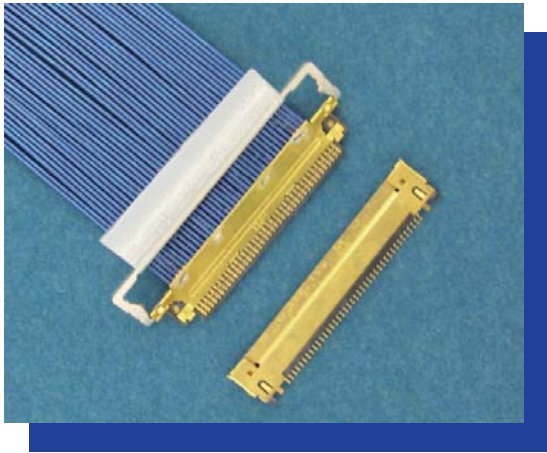


CABLINE[®]-CBL

0.4mm Pitch

Horizontal Type



- Mating Height : MAX. 0.975mm
- Improved transmission efficiency, High level EMI shield performance and multi point ground
- W-Point Contact with High mating reliability
- Anti-reverse mating design
- Locking bar prevents accidental unmating (Option)
- Soldering connection

【Number of Position】

30p, 40p

【Ordering Code】

PLUG Connector Set (for Cable)

Parts Ordering (HOUSING)

20473- 0 ** T - 10

① ②

Parts Ordering (SHELL A)

2618-0 ** 1

①

Parts Ordering (Latch bar)

2619-0 ** *

① ③

RECEPTACLE Connector Set
(for PC Board)

20474- 0 ** E - 1 *

① ② ③

【Applicable Cable Size】

SGC	AWG #40, #42, #44, #46
DISCRETE	AWG #36

①	POS.	30: 30pos 40: 40pos	
②	Packaging	T	Tray
③	INSULATION COAT	0	Without
		1	With

①	POS.	30: 30pos 40: 40pos	
②	Packaging	E	Emboss Tape
		1	With
③	BOSS	2	Without

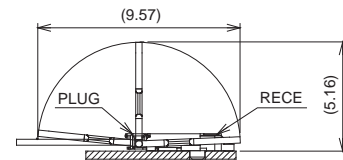
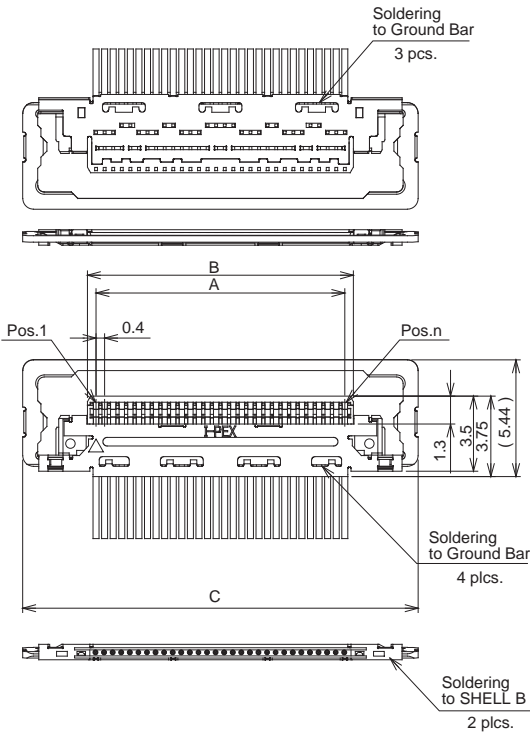
【Material / Finish】

Product	Parts	Material	Plating / Color
PLUG	HOUSING	LCP UL94V-0	BLACK
	CONTACT	COPPER ALLOY	Au
	SHELL A	COPPER ALLOY	Au
	SHELL B	COPPER ALLOY	Au
	LATCH BAR	STAINLESS STEEL	-
RECEPTACLE	HOUSING	LCP UL94V-0	BLACK
	CONTACT	COPPER ALLOY	Au
	SHELL	COPPER ALLOY	Au

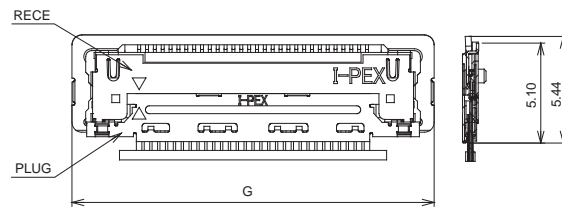
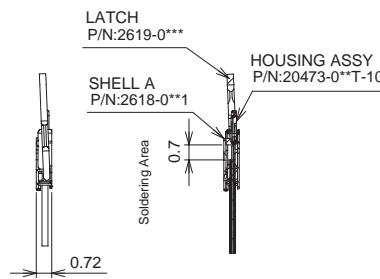
PLUG

Set P/N: 20472-0**T-**

POS.	A	B	C
30p	11.6	12.4	18.44
40p	15.6	16.4	22.44



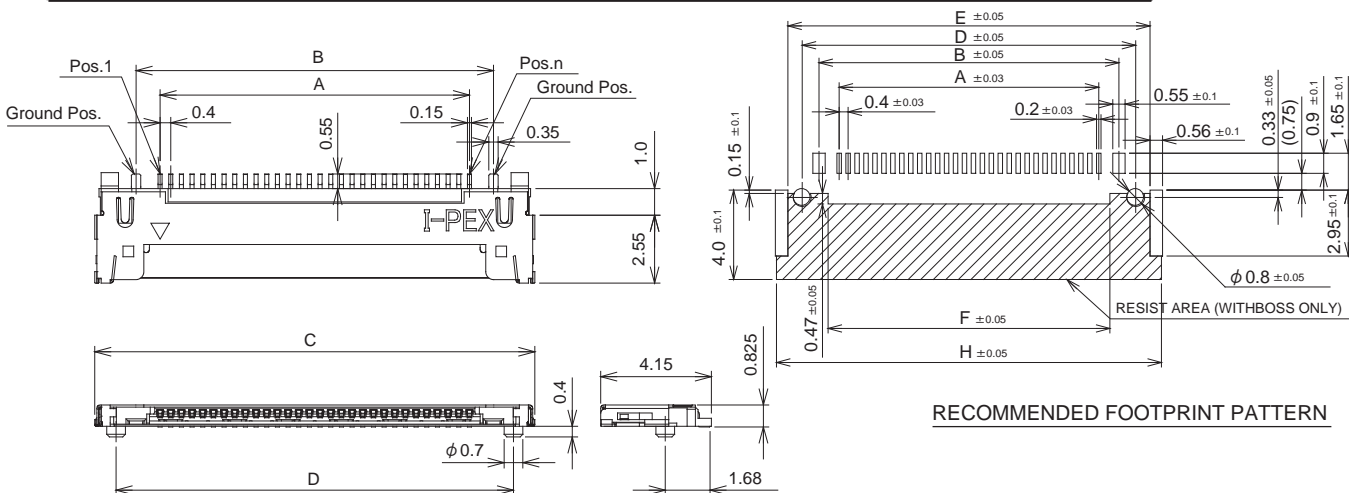
LATCH MOVEMENTS



MATED VIEW

RECEPTACLE

POS.	A	B	C	D	E	F	G	H	J	K
30p	11.6	13.4	16.5	14.9	16.18	12.59	18.44	17.2	19.2	12.2
40p	15.6	17.4	20.5	18.9	20.18	16.59	22.44	21.2	23.2	16.2



RECOMMENDED FOOTPRINT PATTERN

