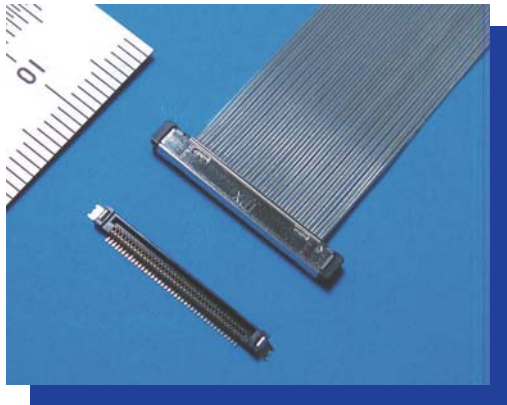


CABLINE[®]-SS

0.4mm Pitch Right Angle Stacking Type



- Super Slim SGC Connector Going through Small Hinge Hole after Cabling
- Connector Width : 3.0mm, Mating Height : 1.85mm (MAX)
- W-Point Contact with High mating reliability
- Soldering connection

【Number of Position】

10p, 14p, 20p, 30p, 32p, 40p, 50p

【Applicable Cable Size】

SGC	AWG#42 (14p, 20p, 30p, 32p, 40p, 50p)
	AWG#36 (10p, 14p, 20p, 30p, 40p)

【Ordering Code】

PLUG Connector Set (for Cable)

Parts Ordering (HOUSING)

20373- 0 ** T- **
 ① ② ③

Parts Ordering (METAL COVER)

2182-0 ** - 0 *
 ① ④

RECEPTACLE Connector Set
(for PC Board)

20374- 0 ** E- * 1
 ① ② ③

【Material / Finish】

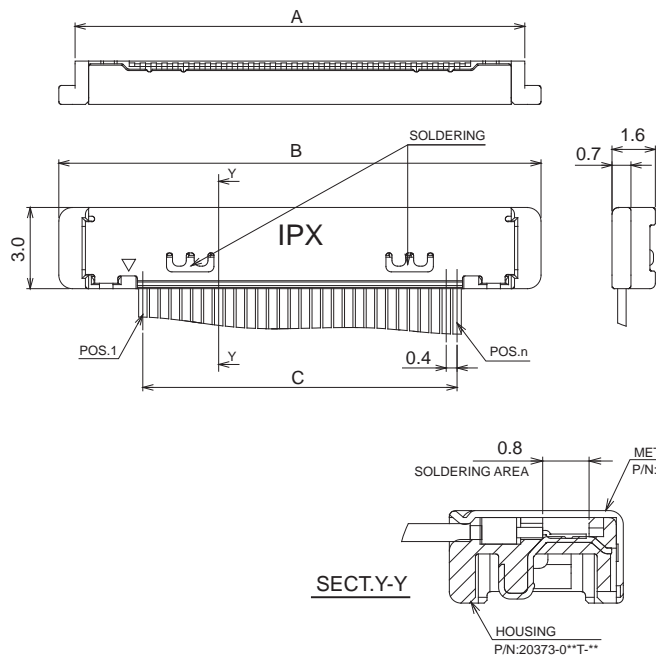
①	POS.	10 :10pos. 14 :14pos. 20 :20pos. 30 :30pos. 32 :32pos. 40 :40pos. 50 :50pos.	
②	Packaging	T	Tray
③	Applicable Cable Size	00	AWG#42 (14p, 20p, 30p, 32p, 50p)
		01	AWG#42 (40p)
		03	AWG#36 (10p, 14p, 20p, 30p, 40p)
④	Applicable Cable Size	0	AWG#42 (14p, 20p, 30p, 32p, 40p, 50p)
		3	AWG#36 (10p, 14p, 20p, 30p, 40p)

①	POS.	10 :10pos. 14 :14pos. 20 :20pos. 30 :30pos. 32 :32pos. 40 :40pos. 50 :50pos.	
②	Packaging	E	Emboss Tape
③	Nickel Barrier	2	Without
		3	With

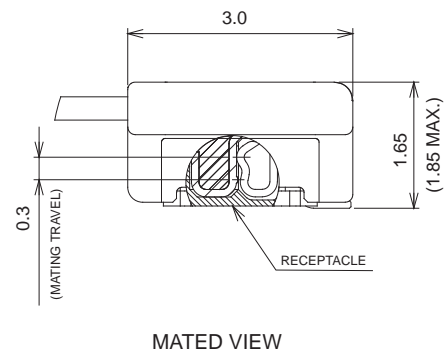
Product	Parts	Material	Plating / Color
PLUG	HOUSING	LCP UL94V-0	BLACK
	CONTACT	COPPER ALLOY	Au
	METAL COVER	COPPER ALLOY	Sn
RECEPTACLE	HOUSING	LCP UL94V-0	BLACK
	CONTACT	COPPER ALLOY	Au
	FIXING METAL	COPPER ALLOY	Sn-Cu
	VACUUM CLIP	LCP UL94V-0	NATURAL

PLUG

Set P/N: 20380-***T-**



POS.	A	B	C	D	E
10p	8.6	9.8	3.6	4.6	5.0
14p	10.2	11.4	5.2	6.2	6.6
20p	12.6	13.8	7.6	8.6	9.0
30p	16.6	17.8	11.6	12.6	13.0
32p	17.4	18.6	12.4	13.4	13.8
40p	20.6	21.8	15.6	16.6	17.0
50p	24.6	25.8	19.6	20.6	21.0



RECEPTACLE

POS.	PART NO.	A	B	C	D	E
10p	20374-010E-*1	3.6	7.6	9.6	7.2	5.5
14p	20374-014E-*1	5.2	9.2	11.2	8.8	5.5
20p	20374-020E-*1	7.6	11.6	13.6	11.2	8.0
30p	20374-030E-*1	11.6	15.6	17.6	15.2	8.0
32p	20374-032E-*1	12.4	16.4	18.4	16.0	8.0
40p	20374-040E-*1	15.6	19.6	21.6	19.2	8.0
50p	20374-050E-*1	19.6	23.6	25.6	23.2	8.0

