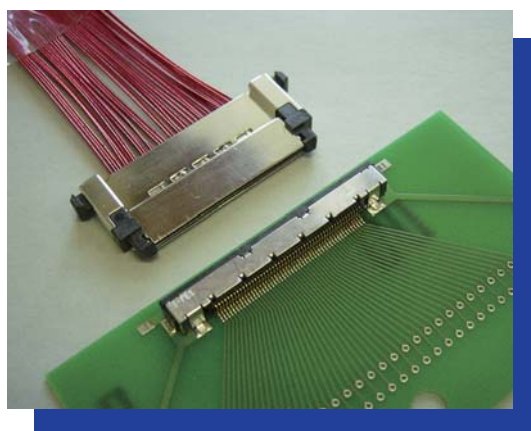


# CABLINE® -TL 0.5mm Pitch Horizontal Type / Vertical Type



- Suitable for the LVDS / HDMI transmission in digital equipment
- Applicable for TWINCOAX, SGC, DISCRETE
- Better mating with rugged guide design
- Anti-reverse mating design
- Feature to prevent buckling
- W-Point contact with High mating reliability
- Soldering connection

### 【Number of Position】

21p, 31p, 41p, 51p

### 【Ordering Code】

PLUG Connector Set (for Cable)

Parts Ordering (HOUSING)

**20422- 0 \*\* T**  
                   ① ②

Parts Ordering (COVER B)

**2453-0 \*\***  
                   ①

RECEPTACLE Connector Set  
 (for PC Board)

**20423- \* \*\* E**  
                   ① ② ③

### 【Applicable Cable Size】

SGC	AWG #40, #36
TWINCOAX	AWG #40
DISCRETE	AWG #36, #32

①	POS.	<b>21:</b> 21pos <b>31:</b> 31pos <b>41:</b> 41pos <b>51:</b> 51pos
②	Packaging	<b>T</b> Tray

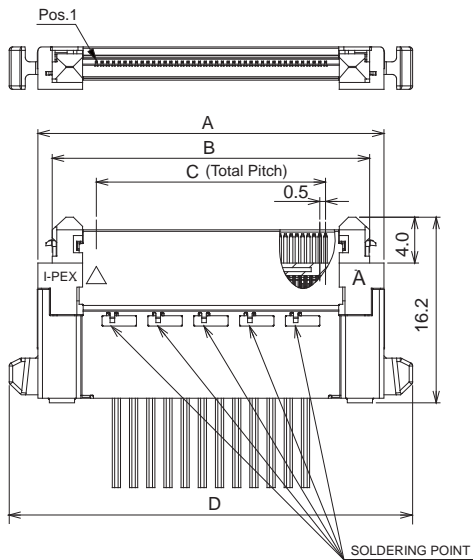
①	Type	<b>H</b>	Horizontal
		<b>V</b>	Vertical
②	POS.	<b>21:</b> 21pos <b>31:</b> 31pos <b>41:</b> 41pos <b>51:</b> 51pos	
③	Packaging	<b>E</b>	Emboss Tape

### 【Material / Finish】

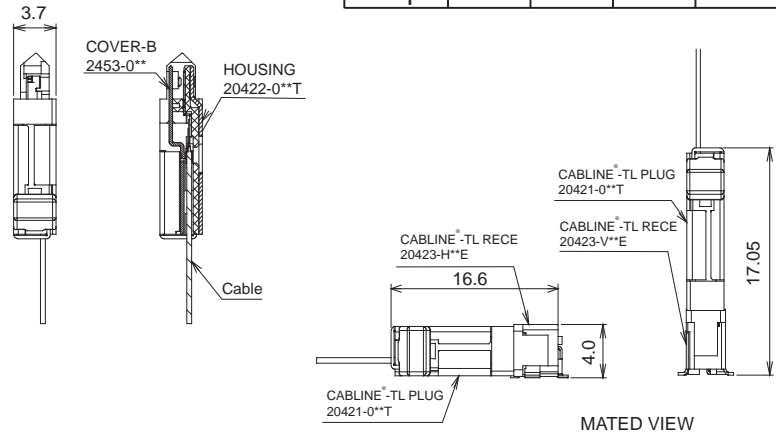
Product	Parts	Material	Plating / Color
PLUG	HOUSING	LCP UL94V-0	BLACK
	CONTACT	COPPER ALLOY	Au
	COVER A	COPPER ALLOY	Sn
	COVER B	COPPER ALLOY	Sn
RECEPTACLE	HOUSING	LCP UL94V-0	BLACK
	CONTACT	COPPER ALLOY	Au
	SHELL	COPPER ALLOY	Sn

# PLUG

Set P/N: 20421-0\*\*T



POS.	A	B	C	D
21p	20.2	17.7	10.0	25.2
31p	25.2	22.7	15.0	30.2
41p	30.2	27.7	20.0	35.2
51p	35.2	32.7	25.0	40.2



# RECEPTACLE

POS.	PART NO.	A	B	C	D	E	F	G	H
21p	20423-*21E	16.0	10.0	3.0	-	22.0	22.8	21.6	19.75
31p	20423-*31E	21.0	15.0	4.0	-	27.0	27.8	26.6	24.75
41p	20423-*41E	26.0	20.0	4.0	4.0	32.0	32.8	31.6	29.75
51p	20423-*51E	31.0	25.0	5.0	5.0	37.0	37.8	36.6	34.75

# HORIZONTAL type

# VERTICAL type

