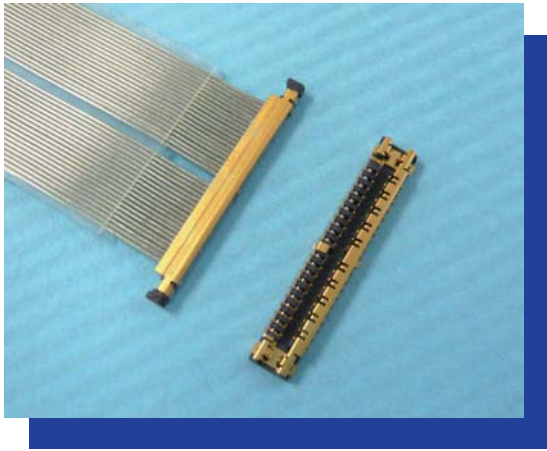


# CABLIN<sup>®</sup>-UA II      0.3mm Pitch      Right Angle Stacking Type



- This is super small vertical mating type connector for small hinge assembly after cable termination
- Mating Height: 1.27mm
- Applicable Cable Size: SGC AWG#46, AWG#44, AWG#42(Small diameter)
- W-Point Contact with High mating reliability
- Stable grounding characteristic by multi point ground structure
- Soldering connection

## 【Number of Position】

26p, 32p, 40p, 50p

## 【Ordering Code】

PLUG Connector Set (for Cable)

Parts Ordering (HOUSING)

**20497- 0 \*\* T - 0 \***  
①   ②   ③

Parts Ordering (Metal Cover)

**2679-0 \*\* - 00**  
①

RECEPTACLE Connector Set  
(for PC Board)

**20498- 0 \*\* E - 0 \***  
①   ②   ③

## 【Applicable Cable Size】

<b>SGC</b>	AWG #42 (Small Diameter) AWG #44, #46
------------	--

①	POS.	<b>26:</b> 26pos	<b>32:</b> 32pos	<b>40:</b> 40pos	<b>50:</b> 50pos
②	Packaging	<b>T</b>	Tray		
③	Insert SHELL Plating	<b>0</b>	Ni		
		<b>1</b>	Au		

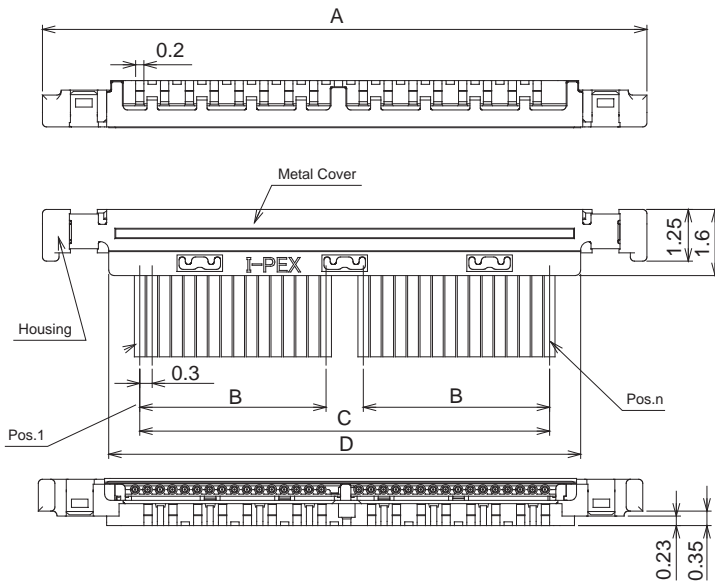
①	POS.	<b>26:</b> 26pos	<b>32:</b> 32pos	<b>40:</b> 40pos	<b>50:</b> 50pos
②	Packaging	<b>E</b>	Emboss Tape		
③	VACUUM CLIP	<b>0</b>	Without		
		<b>1</b>	With		

## 【Material / Finish】

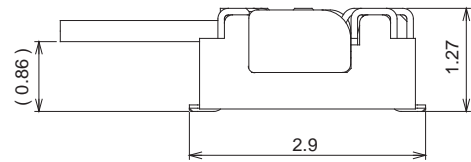
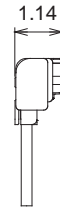
Product	Parts	Material	Plating / Color
PLUG	HOUSING	LCP UL94V-0	BLACK
	CONTACT	COPPER ALLOY	Au
	SHELL	COPPER ALLOY	Au or Ni
	METAL COVER	STAINLESS STEEL	Au
RECEPTACLE	HOUSING	LCP UL94V-0	BLACK
	CONTACT	COPPER ALLOY	Au
	SHELL	COPPER ALLOY	Au

**PLUG**

Set P/N: 20496-0\*\*-0\*

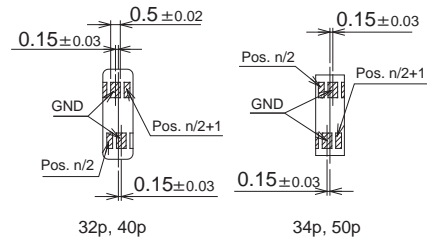
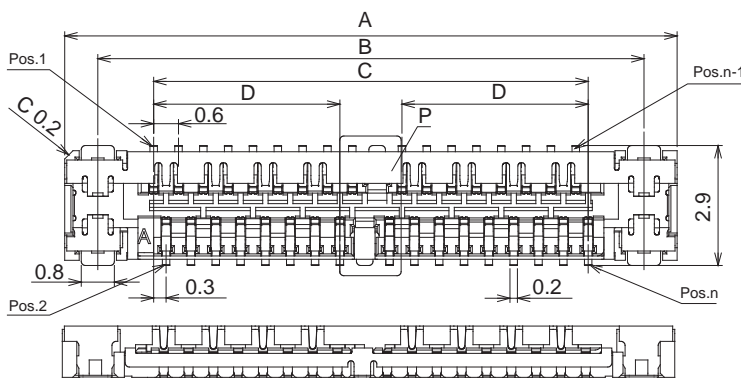


POS.	A	B	C	D
26p	12.8	3.6	8.1	9.6
32p	14.6	4.5	9.9	11.4
40p	17.0	5.7	12.3	13.8
50p	20.0	7.2	15.3	16.8

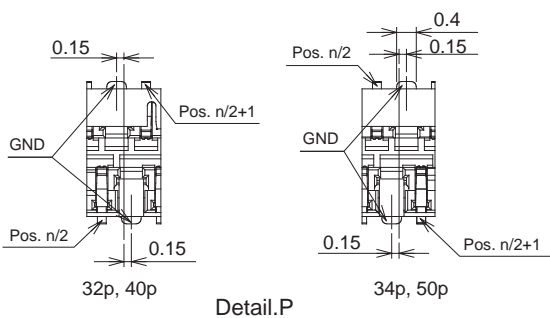
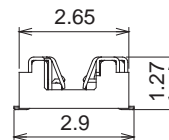


**RECEPTACLE**

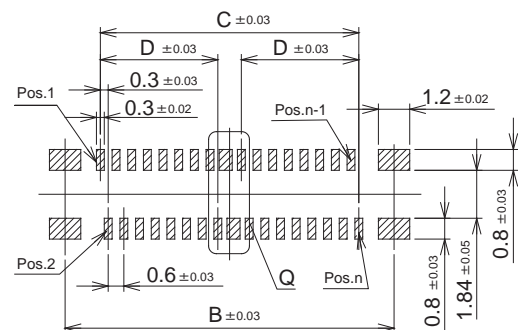
POS.	Part NO.	A	B	C	D
26p	20498-026E-0*	12.4	10.8	8.1	3.6
32p	20498-032E-0*	14.2	12.6	9.9	4.5
40p	20498-040E-0*	16.6	15.0	12.3	5.7
50p	20498-050E-0*	19.6	18.0	15.3	7.2



Detail.Q



Detail.P



RECOMMENDED FOOTPRINT PATTERN