

# CABLINE<sup>®</sup> -VS

0.5mm Pitch

Horizontal Type



- Mating Height : MAX. 1.1mm
- Improved transmission efficiency, High level EMI shield performance and multi point ground
- W-Point Contact with High mating reliability
- Anti-reverse mating design
- Locking bar prevents accidental unmating (Option)
- Soldering connection

### 【Number of Position】

20p, 30p, 40p

### 【Ordering Code】

PLUG Connector Set (for Cable)

Parts Ordering (HOUSING)

**20454- 0 \*\* T**

① ②

Parts Ordering (SHELL A)

**2574- \* \*\***

③ ①

Parts Ordering (Pull bar)

**2576- \* \*\* - \*\***

④ ① ⑤

RECEPTACLE Connector Set  
(for PC Board)

**20455- 0 \*\* E - \* 2**

① ② ③

### 【Material / Finish】

Product	Parts	Material	Plating / Color
PLUG	HOUSING	LCP UL94V-0	BLACK
	CONTACT	COPPER ALLOY	Au
	SHELL A	COPPER ALLOY	Au
	SHELL B	COPPER ALLOY	Au
	PULL BAR	STAINLESS STEEL	-
RECEPTACLE	HOUSING	LCP UL94V-0	BLACK
	CONTACT	COPPER ALLOY	Au
	SHELL	COPPER ALLOY	Au

### 【Applicable Cable Size】

SGC	AWG #40, #42, #44 (AWG #36: Power Only)
DISCRETE	AWG #32, #34, #36

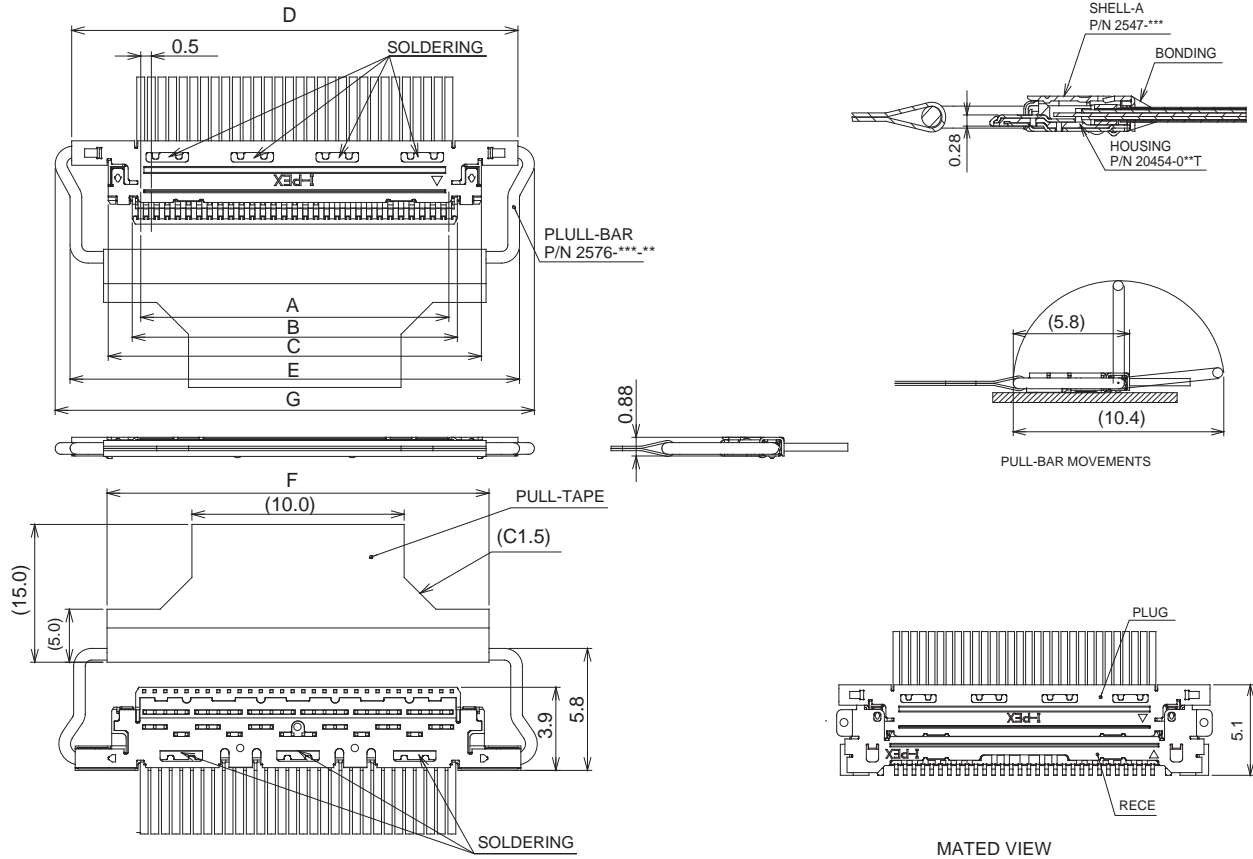
①	POS.	<b>20:</b> 20pos <b>30:</b> 30pos <b>40:</b> 40pos
②	Packaging	<b>T</b> Tray
③	DATUM MARK	<b>0</b> With
		<b>1</b> Without
④	INSULATION COAT	<b>0</b> Without
		<b>1</b> With
⑤	Packing Quantity	- 60,000pcs
		<b>00</b> 20,000pcs

①	POS.	<b>20:</b> 20pos <b>30:</b> 30pos <b>40:</b> 40pos
②	Packaging	<b>E</b> Emboss Tape
③	DATUM MARK	<b>0</b> With
		<b>1</b> Without

**PLUG**

Set P/N: 20453-0\*\*T-\*\*

POS.	A	B	C	D	E	F	G
20	9.50	10.30	12.56	16.00	16.15	13.00	17.55
30	14.50	15.30	17.56	21.00	21.15	18.00	22.55
40	19.50	20.30	22.56	26.00	26.15	23.00	27.55



**RECEPTACLE**

POS.	A	B	C	D	E	F	G
20	9.50	11.30	16.25	14.47	14.30	10.60	18.20
30	14.50	16.30	21.25	19.47	19.30	15.60	23.20
40	19.50	21.30	26.25	24.47	24.30	20.60	28.20

